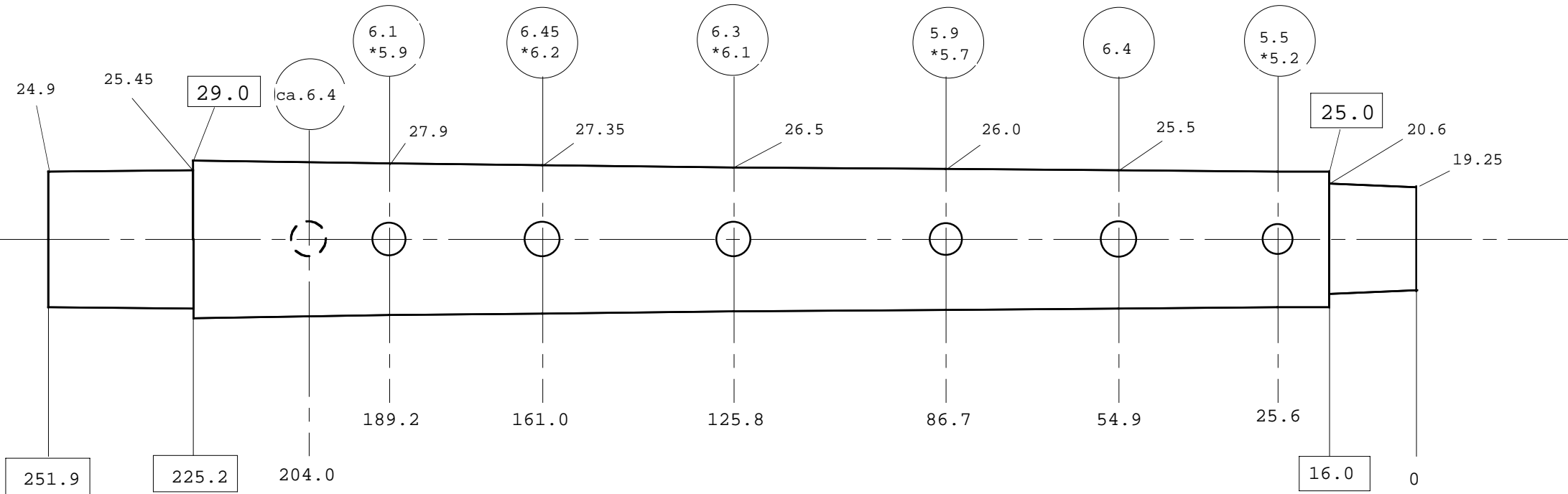


Alto recorder by P.I.Bressan

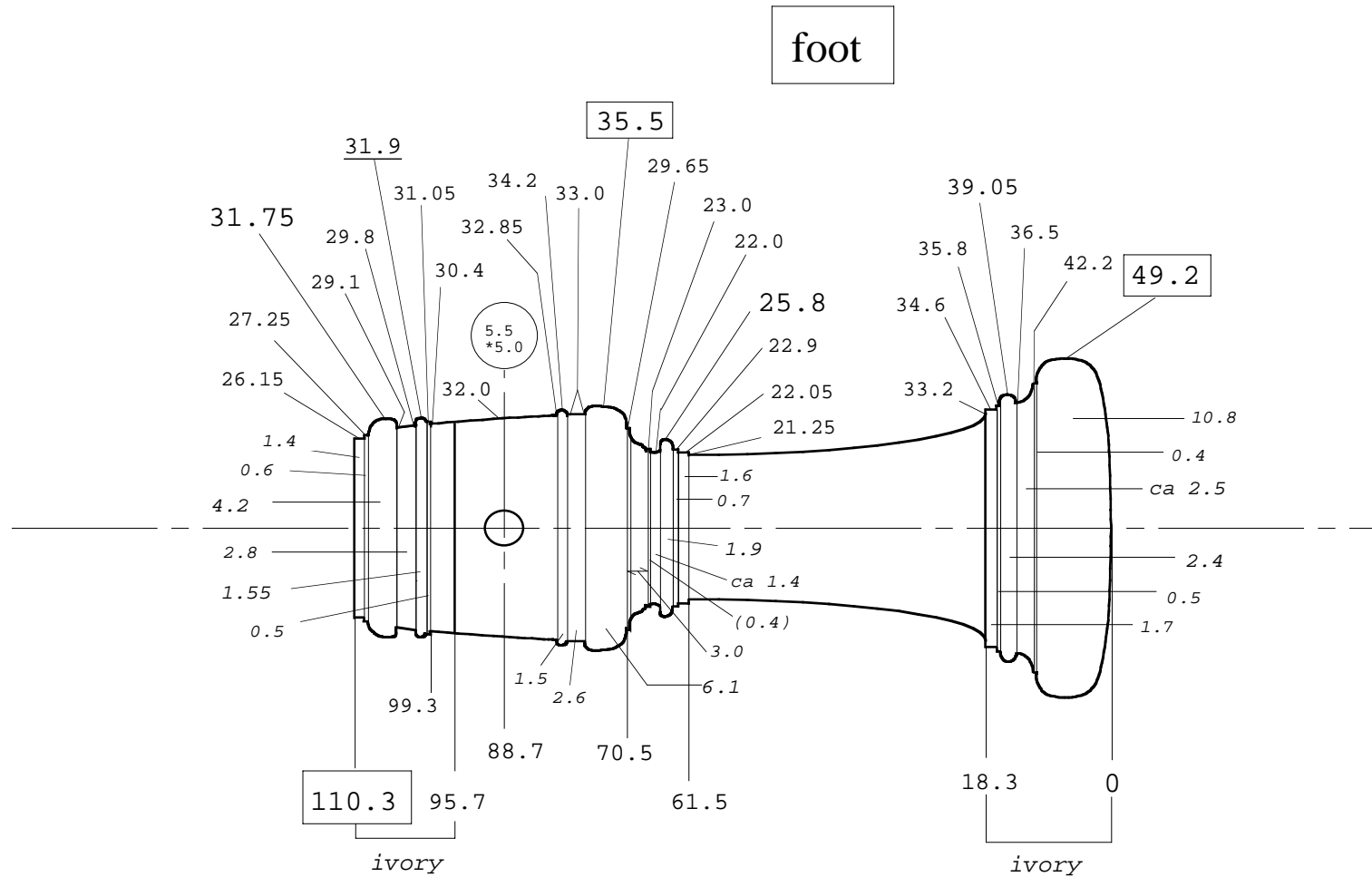
Collection of Frans Brügger, Amsterdam

center



Alto recorder by P.I.Bressan

Collection of Frans Brügger, Amsterdam



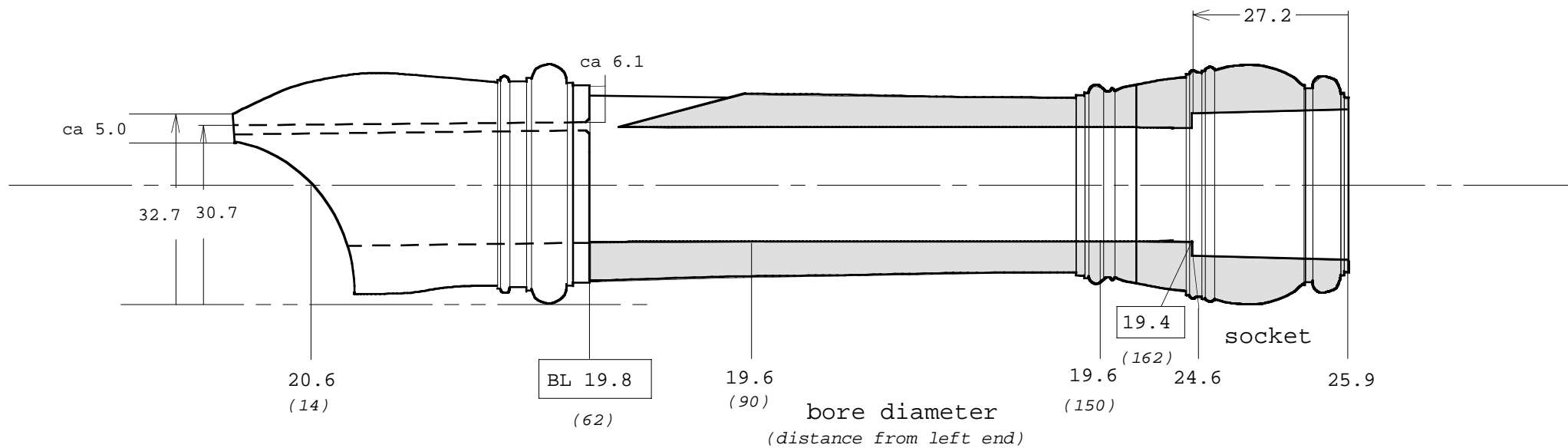
Alto recorder by P.I.Bressan

Collection of Frans Brüggem, Amsterdam

Drawn by S.Suzuki, January 17, 1998.

Based on measurements by F.Morgan, 1979.

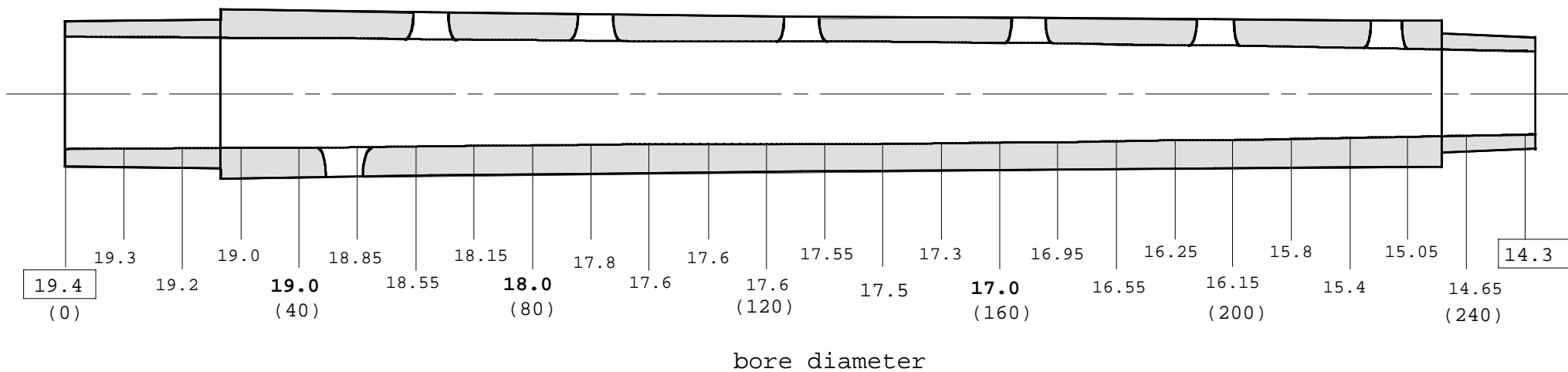
head



Alto recorder by P.I.Bressan

Collection of Frans Brügger, Amsterdam

center



Alto recorder by P.I.Bressan

Collection of Frans Brügger, Amsterdam

foot

